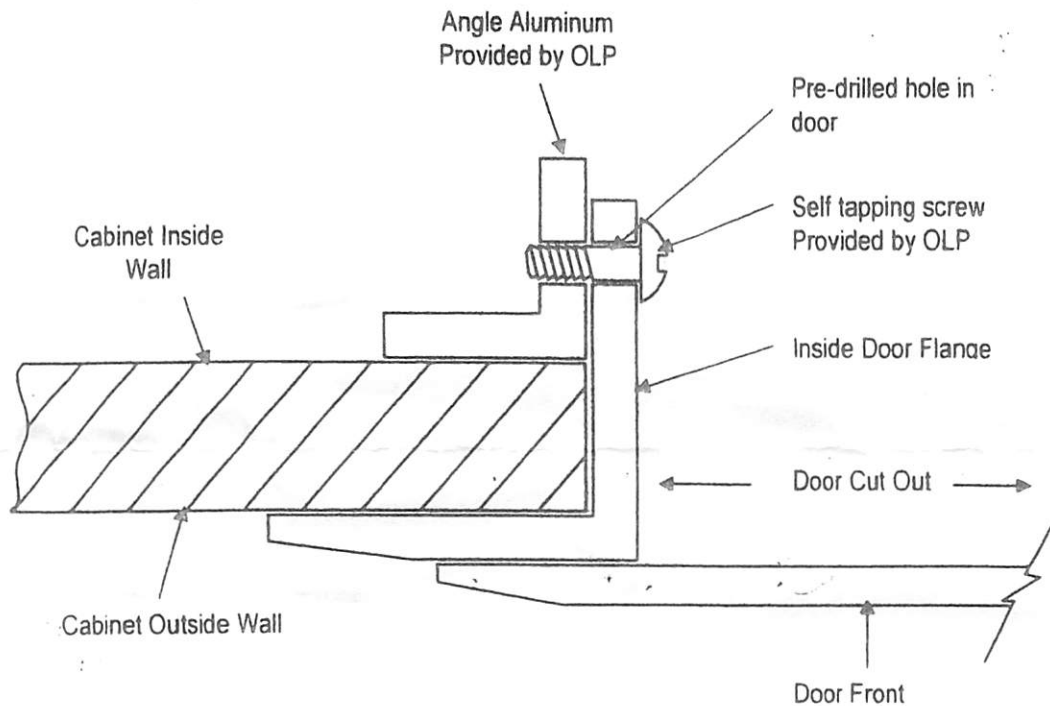




DOOR INSTALLATION INSTRUCTIONS



1. Install door before installation of grill or granite.
2. Push door into opening of cut out and hold tight.
3. Place aluminum angle along inside wall of barbeque and next to inside edge of door flange and hold tight.
4. Screw self tapping screw through the pre-drilled hole in door and into the aluminum angle to secure the door. (**Do not over tighten**)
5. Repeat steps using 2 screws on each side of door.